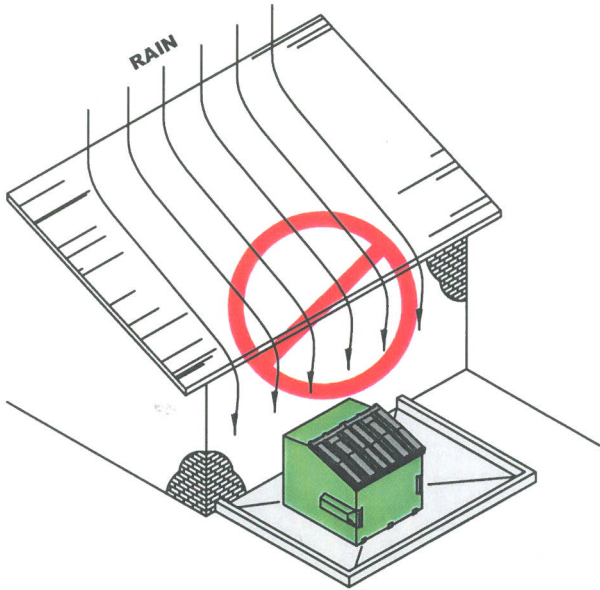
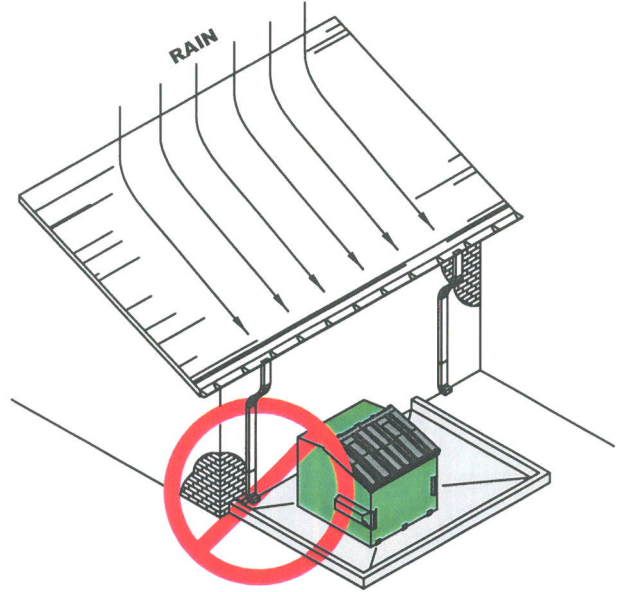


# DUMPSTER PAD STORM WATER PROBLEMS & SOLUTIONS



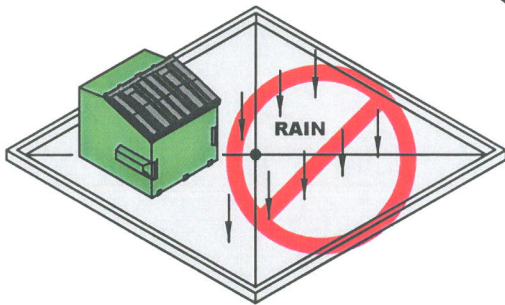
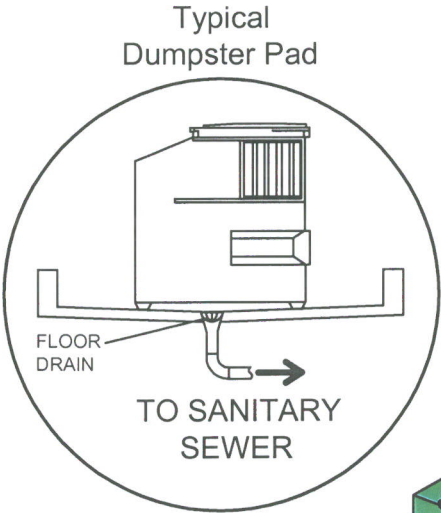
ROOF DRAINS TO DUMPSTER PAD

Solution: Install gutter & downspouts.



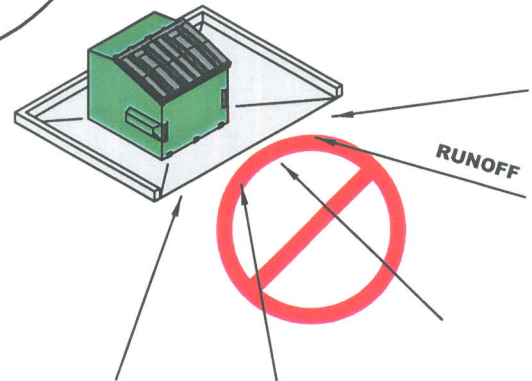
DOWNSPOUT DISCHARGES TO DUMPSTER PAD

Solution: Move downspout discharge outside of dumpster pad.



DUMPSTER PAD TOO LARGE

Solution: Decrease pad size.



AREA OUTSIDE DUMPSTER PAD DRAINING TO PAD

Solution: Isolate dumpster pad with curbing or by other means.